

Figure 1. Installation

DESCRIPTION:

The photocells B-MAX 180° are designed to detect obstacles in automatic door and gate installations, preventing collision with the door/gate. They are made up of an infrared transmitter module (TX) and receiver module (RX). If a person or object interrupts the beam of light emitted by transmitter (TX) (or the beam does not reach the receiver due to failure or loss of setting), the receiver (RX) enables the corresponding relay and informs the installation control unit.

FEATURE:

Power supply: 12V AC/DC or 24V AC/DC.
 Consumption (at 24VDC): TX: 20mA, RX: 25mA
 Wavelength: 940nm
 Rotate angle: 1800
 Infrared beam frequency: 1kHz
 Response time: 110mS
 Operating temperature: -200C / +600C
 IP protection: 44
 Relay contacts capacity: 1A at 24VDC
 Infrared beam range: 30m maximum (9m in adverse conditions)

JUMPER Configuration:

J1 (LONG): range between 10m and 30m
 J1 (NORMAL): range less than 10m

J2 (1-2): less sensitivity to avoid snow and rain weather
 J2 (2-3): more sensitivity to detect obstacle

INSTALLATION:

1. Install the receiver (RX) keep away from direct sunlight (infrared radiation).
2. Choose a location for the transmitter and receiver equipment. The two modules should be as aligned as possible.
3. The installation height of photocells will depend on the installation (in general we recommend installation at a height of less than 300mm from the ground and at a distance of less than 200mm from the leaf of the gate).
4. Connect the electrical power supply. When the receiver correctly receives the beam sent by transmitter, the NC contact remains closed and LED light off. When the beam is interrupted, the NC contact opens and LED light on.

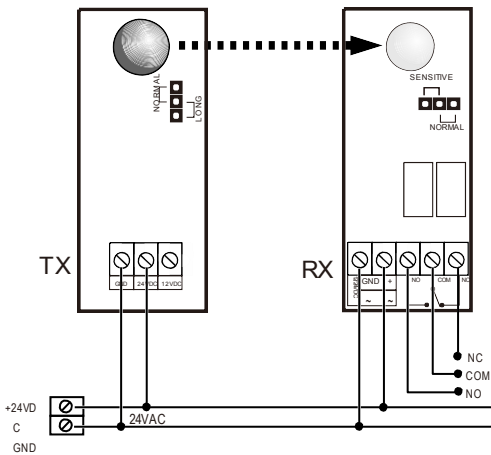


Figure 2. Connect with 24VDC or 24VAC

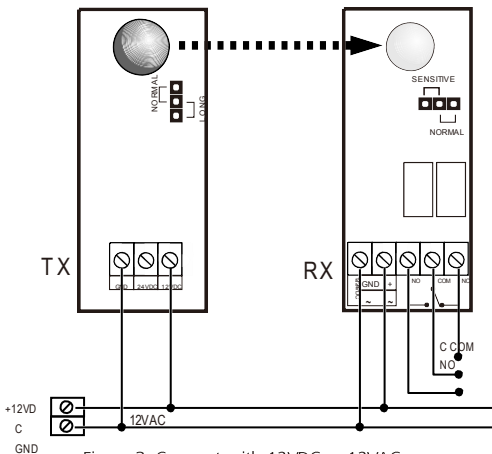


Figure 3. Connect with 12VDC or 12VAC